



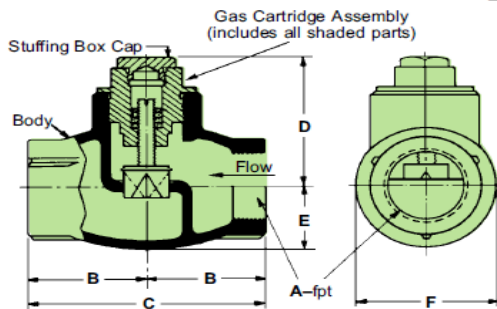
An 1807 Limiting Orifice Valve is used to set air/gas ratio on a nozzle-mix burner. It has a V-port plug that can be adjusted sensitively and accurately with a screwdriver. Turning the screw counter clockwise increases flow. A cap conceals the adjustment and discourages tampering with the setting. If an adjustment is needed, replace top cap on valve body to reduce air or gas leaks. The V-port adjustment is in a removable gas cartridge assembly, simplifying inspection or replacement. 1807 Valves have brass internals; 1807- -K Valves have iron internals for coke gas and others corrosive to brass; 1807- -TK Valves are for hot gases.

CAPACITIES: scfh Natural Gas (0.6 s.g.)

Capacity, scfh	Valve designation and pipe size								Specific Gravity	Capacity Factor
	1807-01 1/2"	1807-0 3/4"	1807-1 1"	1807-2 1 1/4"	1807-3 1 1/2"	1807-4 2"	1807-5 2 1/2"	1807-6 3"		
0.1	86	121	222	327	414	990	1 491	2 600	0.4	1.22
0.2	122	172	315	470	584	1400	2 110	3 675	0.6	1.00
0.3	149	210	386	564	715	1720	2 580	4 500	0.8	0.866
0.4	172	243	446	650	830	1980	2 982	5 200	1.5	0.632
0.5	192	272	500	730	925	2230	3 340	5 820	2.0	0.547
1.0	272	385	705	1030	1310	3150	4 720	8 220		
2.0	384	542	990	1460	1850	4450	6 660	11 590		
3.0	470	665	1210	1780	2270	5440	8 200	14 220		
4.0	544	770	1410	2060	2620	6300	9 440	16 440		
5.0	610	860	1580	2320	2930	7040	10 560	18 400		
6.0	666	940	1720	2550	3210	7700	11 570	20 150		

Capacities shown with 1 psi inlet pressure.
Maximum Pressure: 25 psig

DIMENSIONS



Valve designation	dimensions in inches						Wt, lb
	A	B	C	D	E	F	
1807-01	1/2	1 11/16	3 3/8	2 11/32	7/8	1 3/4	1 1/2
1807-0	3/4	1 11/16	3 3/8	2 11/32	1	2	1 3/4
1807-1	1	2 1/8	4 1/4	2 21/32	1 5/8	2 5/16	2 3/4
1807-2	1 1/4	2 7/16	4 7/8	2 7/8	1 7/16	2 7/8	4 1/4
1807-3	1 1/2	2 9/8	5 1/4	3 3/16	1 5/8	3 1/4	5 1/2
1807-4	2	2 15/16	5 7/8	3 11/16	1 7/8	3 3/4	7 1/2
1807-5	2 1/2	3 7/8	7 3/4	4 7/32	2 7/16	4 7/8	12 1/2
1807-6	3	4 7/8	9 3/4	5 9/16	2 15/16	5 7/8	20

DIMENSIONS SHOWN ARE SUBJECT TO CHANGE. PLEASE OBTAIN CERTIFIED PRINTS FROM NORTH AMERICAN MFG. CO. IF SPACE LIMITATIONS OR OTHER CONSIDERATIONS MAKE EXACT DIMENSION(S) CRITICAL.

1807 and 1807- -K (All Iron Valve) PARTS LIST

Part Name	Valve designation							
	1807-01 1807-01-K	1807-0 1807-0-K	1807-1 1807-1-K	1807-2 1807-2-K	1807-3 1807-3-K	1807-4 1807-4-K	1807-5 1807-5-K	1807-6 1807-6-K
Body	2-3618-3	2-1676-3	2-1702-3	2-1677-3	2-1680-3	2-1682-3	2-3465-3	2-3468-3
Gas Cartridge Assem. ① (1807) (1807- -K)	4-6063-01 4-6064-01K	4-6063-0 4-6064-0K	4-6063-1 4-6064-1K	4-6063-2 4-6064-2K	4-6063-3 4-6064-3K	4-6063-4 4-6064-4K	4-6063-5 4-6064-5K	4-6063-6 4-6064-6K
Stuffing Box Cap ② (1807) (1807- -K)	4-6085-1 4-6085-2	4-6086-1 4-6086-2	4-6086-1 4-6086-2	4-6086-1 4-6086-2	4-6086-1 4-6086-2	4-6087-1 4-6087-2	4-6087-1 4-6087-2	4-6087-1 4-6087-2

- ① Recommended spare part.
- ② Included in Gas Cartridge Assembly, or can be ordered separately.

TO ORDER COMPLETE VALVE, SPECIFY Valve designation
Example: 1807-3 Valve

TO ORDER PARTS, SPECIFY: Part number, part name, and valve designation
Example: 4-6063-2 Gas Cartridge Assembly for 1807-2

TECHRITE CONTROLS AUSTRALIA PTY.LTD

Victoria - Head Office
12 Yiannis Court
Springvale, Victoria 3171
Phone:+61 3 9549 4444
Fax:+61 3 9546 6069

Sydney Office
Unit 10/19 Boden Road
Seven Hills NSW 2147
Phone:+61 2 9624 4486
Fax:+61 2 9624 6449

Queensland Office
Unit 20, 28 Burnside Road
Ormeau QLD 4208
Phone:+61 7 3807 9094
Fax:+61 7 3807 9095

Email: techrite@techrite.com.au

www.techrite.com.au