

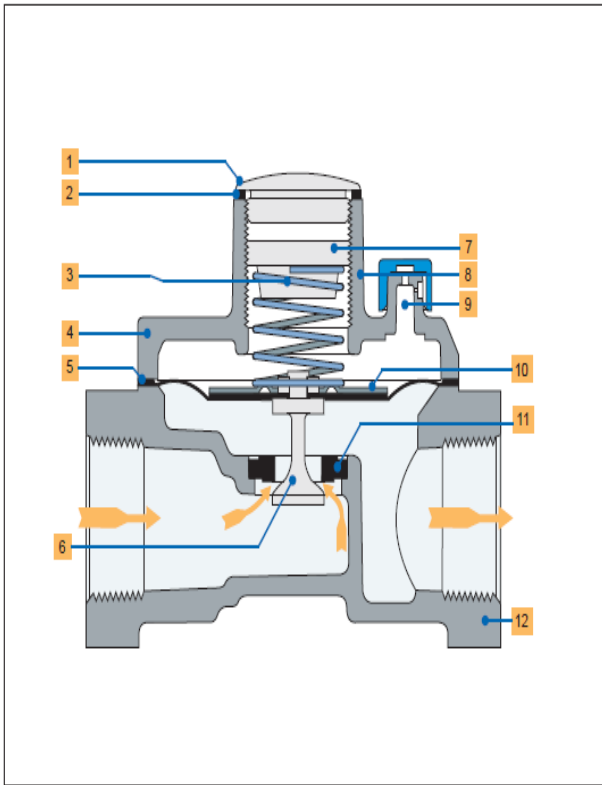
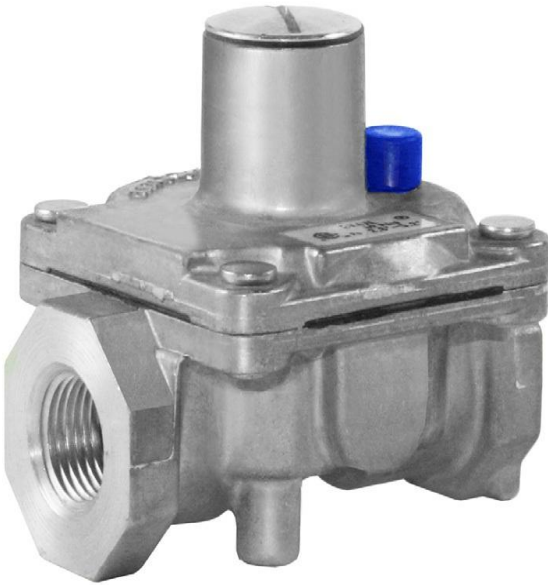
# MAXITROL REGULATOR

The compact RV regulators are designed primarily for main burner and pilot load applications. Typical applications include residential and commercial cooking appliances, barbecues, hearth products, and pilot lines. Maxitrol rubber seat poppet models offer the ultimate in design features and performance capabilities to meet your specific appliance or utility requirements.

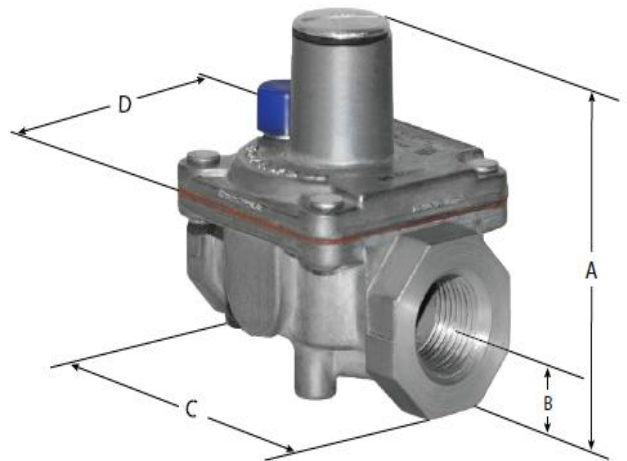
**Maximum Inlet Pressure:** 1/2 psi (3.4 kPa)

**Emergency exposure Limits:** 2.5 psi (17.2 kPa)

MODEL No.	FUEL	INLET SIZE	RATING (Mj/hr)
RV 20 LM	NG/LPG	1/4" BSP & 3/8" BSP	38.8
RV 48 LM	NG/LPG	1/2" BSP & 3/4" BSP	165
RV 48 LSM-66	NG/LPG	3/4" BSP	165



- 1 Seal Cap
- 2 Seal Cap Gasket
- 3 Spring
- 4 Top Housing
- 5 Diaphragm
- 6 Stem & Valve
- 7 Adjusting Screw
- 8 Stack
- 9 Vent
- 10 Diaphragm Plate
- 11 Rubber Seat
- 12 Bottom Housing



MODEL No.	DIMENSIONS			
	A	B	C	D
RV 20	1.7" (43 mm)	0.4" (10 mm)	1.7" (43 mm)	1.4" (35 mm)
RV 48	2.8" (70 mm)	0.8" (19 mm)	3.4" (86 mm)	3" (76 mm)

NOTE: Diagrams are graphical representations only and may differ from actual product.

## TECHRITE CONTROLS AUSTRALIA PTY.LTD

**Victoria - Head Office**  
 12 Yiannis Court  
 Springvale, VIC 3171  
 Phone: +61 3 9549 4444  
 Fax: +61 3 9546 6069

**New South Wales Office**  
 Unit 10/19 Boden Road  
 Seven Hills NSW 2147  
 Phone: +61 2 9624 4486  
 Fax: +61 2 9624 6449

**Queensland Office**  
 Unit 20, 28 Burnside Road  
 Ormeau QLD 4208  
 Phone: +61 7 3807 9094  
 Fax: +61 7 3807 9095

Email: [techrite@techrite.com.au](mailto:techrite@techrite.com.au)

[www.techrite.com.au](http://www.techrite.com.au)