

**GAS FILTER DN65 – DN80 – DN100 – Pmax 6 bar**



Code	Description	Dimension	Pmax
<b>GFD65</b>	Gas filter	DN65	6 bar
<b>GFD80</b>	Gas filter	DN80	6 bar
<b>GFD100</b>	Gas filter	DN100	6 bar
<b>GFD65-TPIO</b>	Gas filter with test point in/out	DN65	6 bar
<b>GFD80-TPIO</b>	Gas filter with test point in/out	DN80	6 bar
<b>GFD100-TPIO</b>	Gas filter with test point in/out	DN100	6 bar
<b>GFD65-SP</b>	Gas filter with screw plugs	DN65	6 bar
<b>GFD80-SP</b>	Gas filter with screw plugs	DN80	6 bar
<b>GFD100-SP</b>	Gas filter with screw plugs	DN100	6 bar

**TECHNICAL FEATURES**

<b>Operation maximum pressure</b>	6 bar
<b>Working Temperature</b>	- 20 °C – + 60 °C
<b>Filtration</b>	50 Micron
<b>Use</b>	Non – aggressive gases – Family 1 – 2 – 3 and air
<b>Cartridge element</b>	Viledon cartridge
<b>Connection</b>	Flanged PN16 – DN65 – DN80 – DN100
<b>Complete Body</b>	Die – Cast Aluminium Gd – AISI12Cu - EN AB 46100
<b>Seals</b>	NBR
<b>Approval</b>	PED

**Optional:**

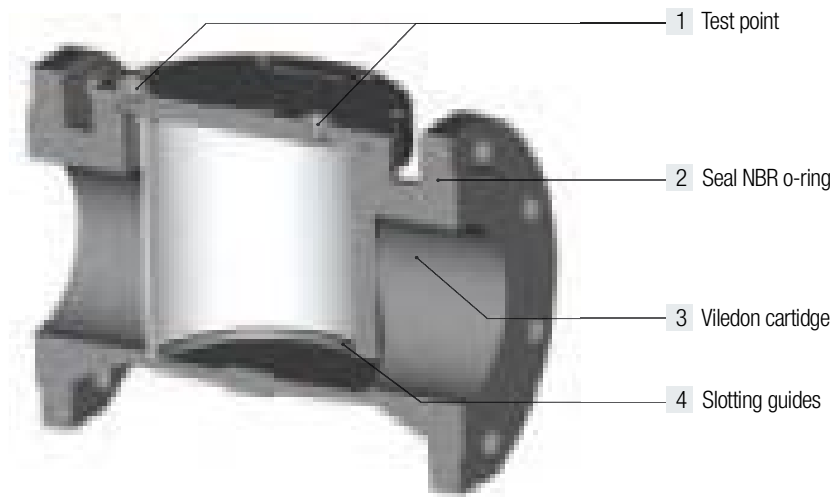
- Test point – NPT ¼"

- Screw – NPT ¼"

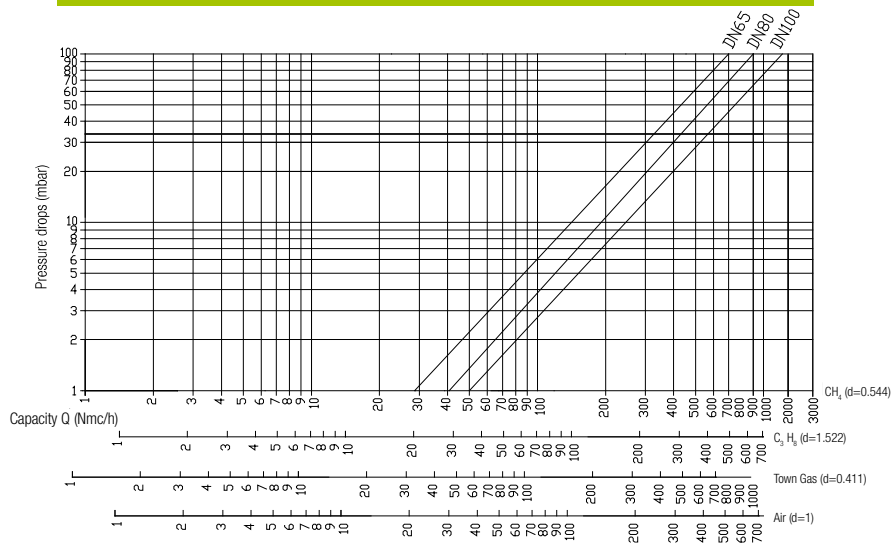
- Peters plug

- Manometer

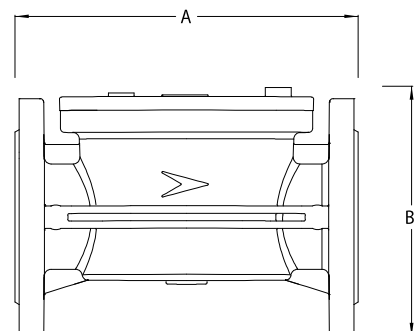
- DP clogging indicator



### FLOW CHART



DIMENSIONS (mm) and WEIGHT (kgs)				
Dimension	A	B	C	Weight
DN65	240	180	185	8,30
DN80	265	180	200	8,30
DN100	265	210	220	9,50



## GAS FILTER DN125 – DN150 – Pmax 6 bar



Code	Description	Dimension	Pmax
<b>GFD125</b>	Gas filter	DN125	6 bar
<b>GFD150</b>	Gas filter	DN150	6 bar
<b>GFD125-TPIO</b>	Gas filter with test point in/out	DN125	6 bar
<b>GFD150-TPIO</b>	Gas filter with test point in/out	DN150	6 bar
<b>GFD125-SP</b>	Gas filter with screw plugs	DN125	6 bar
<b>GFD150-SP</b>	Gas filter with screw plugs	DN150	6 bar

### TECHNICAL FEATURES

<b>Operation maximum pressure</b>	6 bar
<b>Working Temperature</b>	- 20 °C – + 60 °C
<b>Filtration</b>	50 Micron
<b>Use</b>	Non – aggressive gases – Family 1 – 2 – 3 and air
<b>Cartridge element</b>	Viledon cartridge
<b>Connection</b>	Flanged PN16 – DN125 – DN150
<b>Complete Body</b>	Die – Cast Aluminium Gd – AISI12Cu - EN AB 46100
<b>Seals</b>	NBR
<b>Approval</b>	PED

#### Optional:

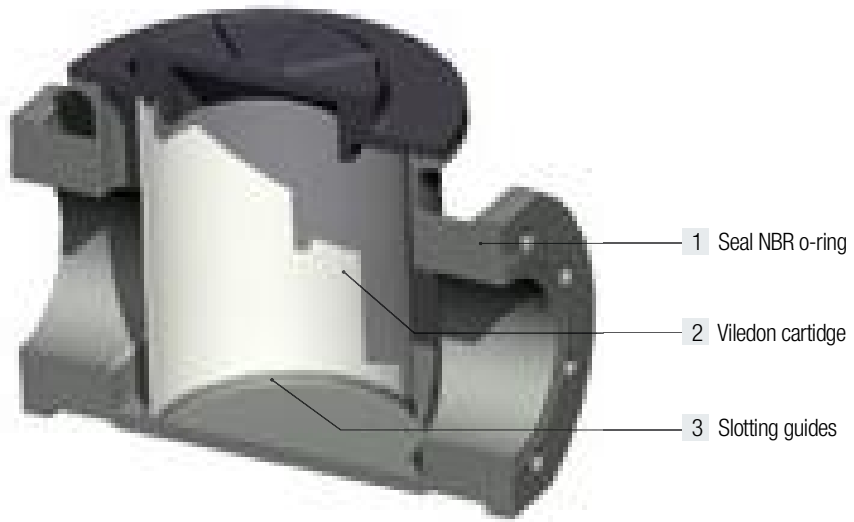
- Test point – NPT ¼"

- Screw – NPT ¼"

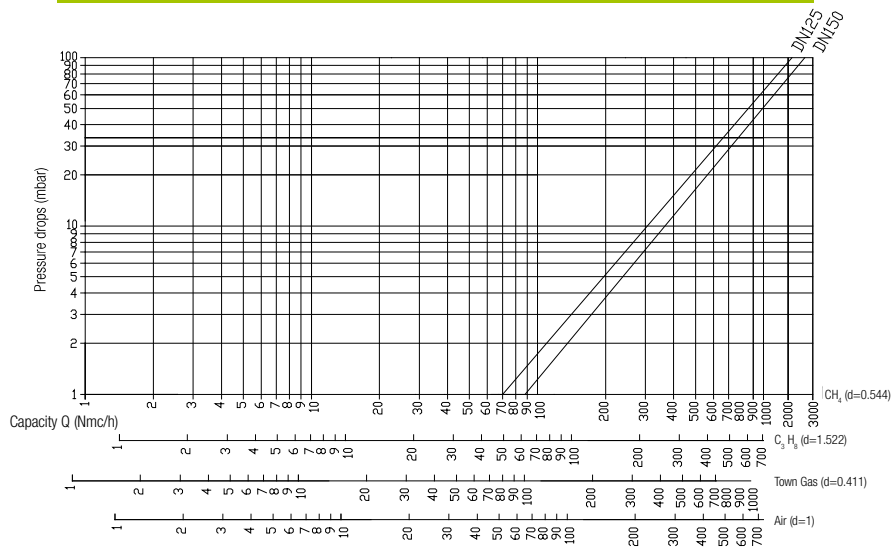
- Peters plug

- Manometer

- DP clogging indicator



### FLOW CHART



DIMENSIONS (mm) and WEIGHT (kgs)				
Dimension	A	B	C	Weight
<b>DN125</b>	442.5	347.7	330.0	23
<b>DN150</b>	442.5	347.7	330.0	21

