



Series 4410

**Zetco AGA Approved
2-Piece Stainless Steel
Ball Valve F&F Lockable**

DESCRIPTION

A versatile BSP female threaded, 2-piece investment cast 316 grade stainless steel ball valve AGA approved to AS 4617 (Approval #8265). This high quality ball valve features a lockable handle for added security while the blow-out proof stem sealing and PTFE internal seals are designed to reduce the risk of leakage in a wide range of gas installations.

FEATURES

Design	Investment cast body in 316 grade stainless steel Lockable lever handle for added safety and security PTFE ball seals for smooth, reliable operation Blow-out proof stem to prevent leakage and ensure safety
Production	Manufactured in China under ISO 9001 Quality Management System All valves are pressure tested during production
Technical	Female ISO 7/1 Rp (BSP) threaded connections Flow capacity: Full bore Flow control: on/off only, not intended for throttling Temperature range: -20°C to 60°C Max. pressure: 4000 kPa (refer to graph)
Options & Variants	Size range: DN8 (1/4") to DN100 (4") Series 4411 2-piece S/S water & gas BSPT F&F lockable Series 4415 2-piece stainless AGA approved BSP F&F T handle Series 4412 2-piece stainless AGA approved BSP M&F lockable Series 4430 2-piece S/S water & gas NPT F&F lockable Series 4463 & 4464 2-piece S/S AGA approved flanged lockable Underground and extended spindle options on request



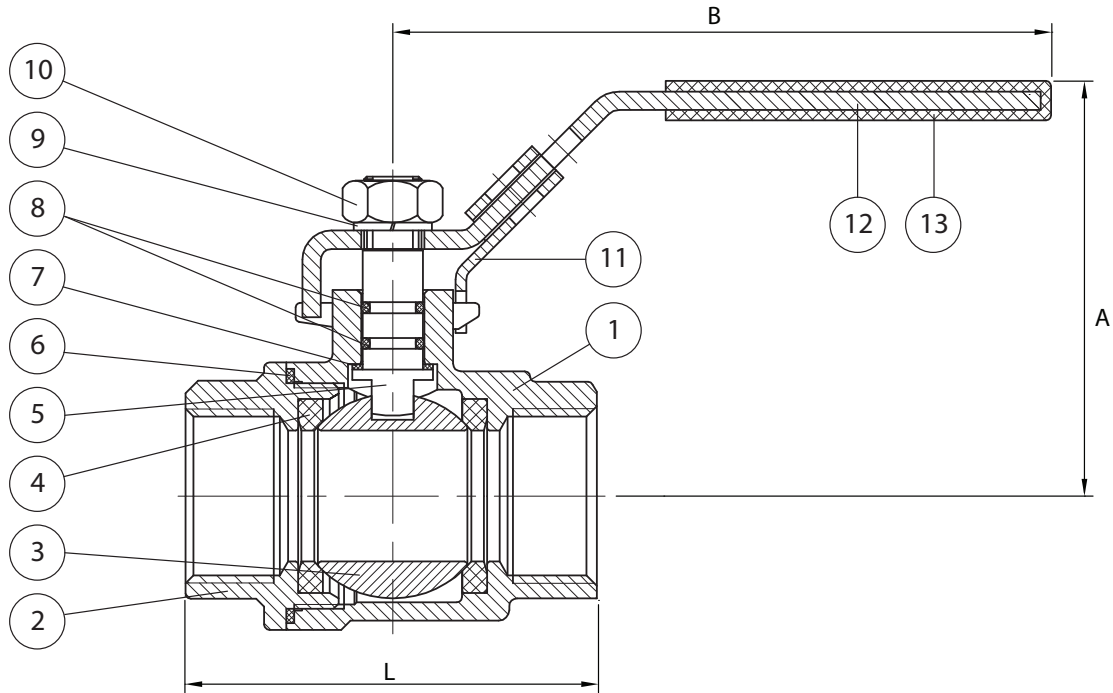
AGA 8265 G
AS 4617

Series 4410

Zetco AGA Approved 2-Piece Stainless Steel
Ball Valve F&F Lockable



DESCRIPTION



PARTS MATERIALS

POS.	PART	MATERIAL
1	BODY	STAINLESS STEEL 316
2	END ADAPTOR	STAINLESS STEEL 316
3	BALL	STAINLESS STEEL 316
4	SEAT	PTFE
5	STEM	STAINLESS STEEL 316
6	GASKET	PTFE
7	THRUST WASHER	PTFE
8	O-RING	VITON®
9	SPRING WASHER	STAINLESS STEEL 304
10	STEM NUT	STAINLESS STEEL 304
11	LOCKING MECHANISM	STAINLESS STEEL 304
12	HANDLE	STAINLESS STEEL 304
13	HANDLE SLEEVE	VINYL

DIMENSIONS (mm)

Prod. Code	DN	Size - (mm)	A	B	L	Kv	Wgt Kg
4410006	8	1/4" - (6.3)	56	102	52	5.1	0.240
4410010	10	3/8" - (9.5)	56	102	52	6	0.220
4410015	15	1/2" - (12.7)	65	123	58	8.6	0.280
4410020	20	3/4" - (19.0)	68	123	67	21.4	0.460
4410025	25	1" - (25.4)	79	153	81	30	0.645
4410032	32	1 1/4" - (31.7)	84	153	94	39.4	1.11
4410040	40	1 1/2" - (38.1)	94	183	104	68.6	1.41
4410050	50	2" - (50.8)	100	183	126	94.3	2.58
4410065	65	2 1/2" - (63.5)	135	246	158	266	5.46
4410080	80	3" - (76.2)	145	246	186	308	8.27
4410100	100	4" - (101.6)	168	350	260	703	16.17

PRESSURE/TEMPERATURE GRAPH

