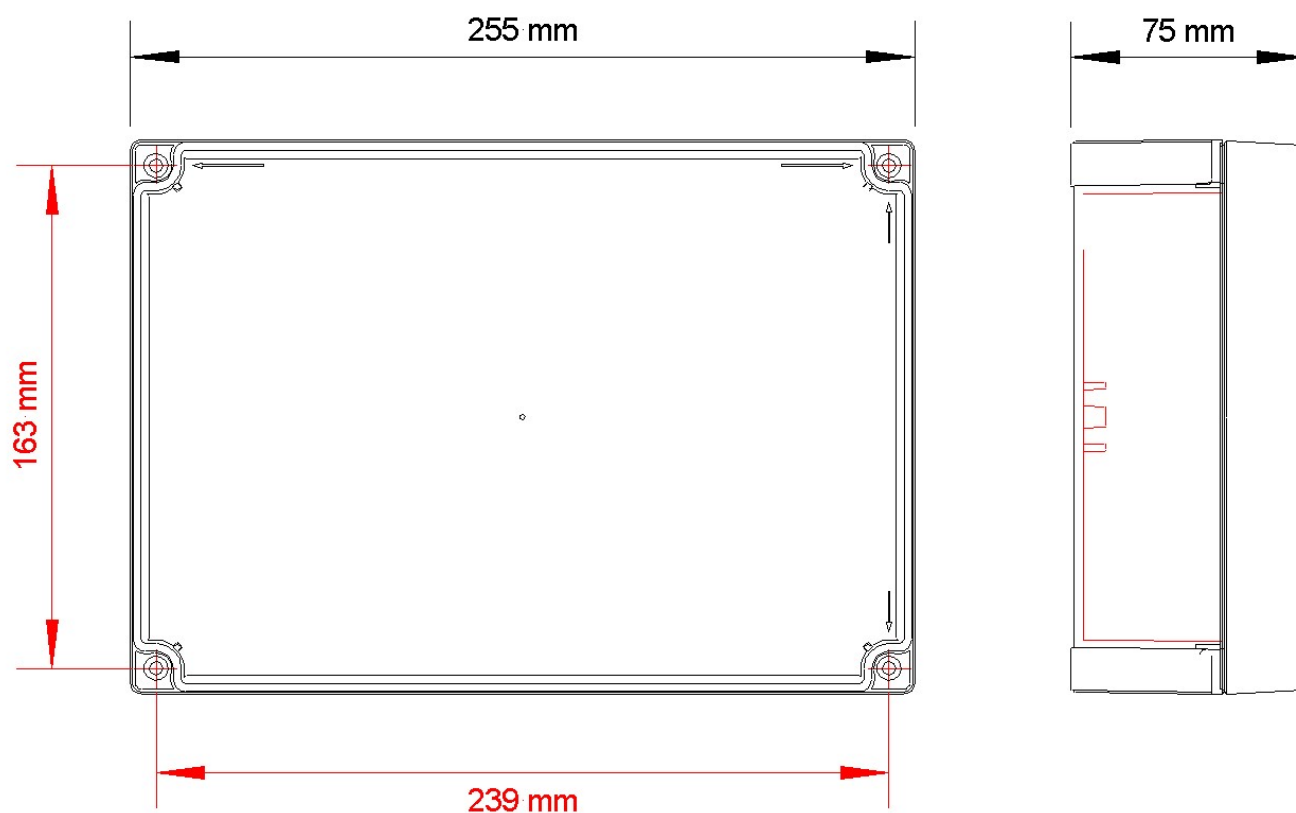


- Gas Pressure Proving
- Gas detection (1-16 detectors)
- Carbon Dioxide Level Monitoring
- Fan interlocking
- Event log
- Fire test isolation mode
- Two settable SELV relays
- Low and high incoming gas pressure monitoring alerts
- Engineer functions

Dimensions & Mounting



Specifications	
Power	230 VAC - 3 amp fused spur.
Weight	1.4kg.
Dimensions	255mm x 180mm x 80mm .
Temperature Range	-5° to 55°C.
Humidity	20% to 90%RH Non-Condensing.
Ingress Protection	IP64.
Housing Material	ABS Plastic.
Colour	Grey.
Mounting	Wall Mount
Mounting Points	239 x 163 footprint.
Sensors	Pellistor, Toxic, Oxygen, NDIR.
Outputs & Connections	1x 16 channel VNOM power & sensor data .
	2x Potential free change over relays. (Mains rated)
	3x Potential free change over relays. (SELV)
	1x 12volt supply rail.
	1x Sender unit (2core low voltage).
	1x 0-10v fan speed.
	1x Remote emergency stop N/C.
	1x Fire Alarm N/C.
	2x Fan PD switches.

All Detectors, pressure senders and relay panels require a four core screened Belden type security cable or 600v rated BMS cable for connection to the Pro-Elite .which must be ground at one end.

Warranty will be void if Fire Protection Cable or cable over 1mm dia. is used on the SELV side.

Quality Management System
Medem (UK) Limited operate an
independently assessed ISO 9001:2015 QMS

Certificate Number
FM 695005

UK | CA | CE

medem

Medem (UK) Ltd, Project House,
19 Dallimore Road, Roundthorn Industrial Estate, Manchester, M23 9NX,
+44 (0)161 233 0600, medem.co.uk, enquiries@medem.co.uk

