

Features

- 2-way normally closed operation
- For gas pilot control of commercial and industrial gas burners
- Direct lift with resilient soft seating for tight shut-off
- Valves provided with 1/8" NPT downstream pipe tap with plug for routine testing
- Mountable in any position

Fluid

Fuel Gas

Construction

Valve Parts in Contact with Fluids	
Body	Aluminum
Seals and Disc	NBR
Core Tube	305 Stainless Steel
Core and Plugnut	430F Stainless Steel
Springs	17-7 PH
Shading Coil	Copper
Pipe Plug	Zinc Plated Steel

Electrical

Standard Coil and Class of Insulation	Watt Rating and Power Consumption			Ambient Temp. °F	Spare Coil Family	
	AC				General Purpose	Explosionproof
	Watts	VA Holding	VA Inrush		AC	AC
F	6.1	16	40	-40 to 125	238210	238214
H	6.1	16	40	-40 to 140	238410	238414

Standard Voltages: 24, 120, 240 volts AC, 60 Hz (or 110, 220 volts AC, 50 Hz).
 Optional High Ambient Temp: 140°F Class H coil with prefix HT.

Solenoid Enclosures

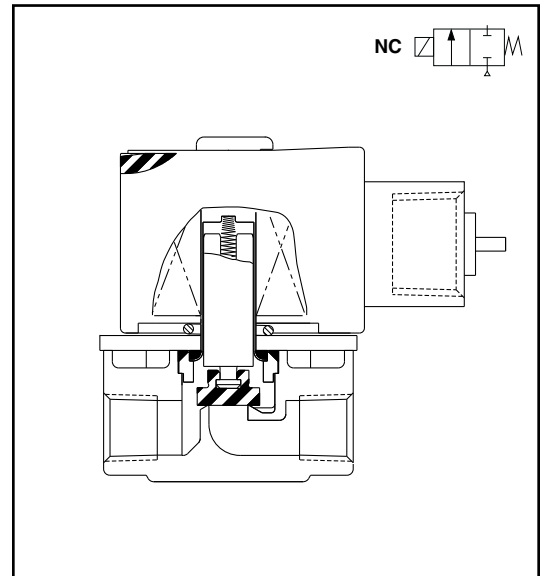
Standard: Watertight, Types 1, 2, 3, 3S, 4, and 4X with 1/2" conduit hub.

Optional: RedHat II - Explosionproof and Watertight. To order, add Prefix "EF" to catalog numbers. (e.g. EF8040H006)

Valve Response Time

Opening Time: Less than 1 second

Closing Time: Less than 1 second



Approvals

UL listed to standard 429 "Electrically Operated Valves," Guide Y10Z, File MP618 Safety Valves.

FM Approved to Class 7400 "Liquid and Gas Safety Shutoff Valves."

CSA Certified to:

- 1) Standard C22.2 No. 139 "Electrically Operated Valves," File 010381.
- 2) Automatic Gas Valves Z21.21 (6.5), File 112872.
- 3) Automatic Gas Safety Shutoff Valves C/I (3.9), File 112872.

Specifications English units (Metric units)

Pipe Size in	Orifice Size in (mm)	Flow Factor Cv (Kv)	Gas Capacity ① Btu/hr.	Operating Pressure Differential psi (bar)		Max. Fluid Temp. °F (°C)	Catalog Number	Const. Ref.	Agency			Wattage ②	Approx. Shipping Weight lbs (kgs)
				Min.	Max.				UL	FM	CSA		
COMBUSTION (Fuel Gas) - NORMALLY CLOSED													
1/8	5/16 (8)	1 (0.9)	53,700	0	15 (1)	125 (52)	8040H006	1	○	○	○	6.1	1.8 (0.8)
1/4	5/16 (8)	1 (0.9)	59,000	0	15 (1)	125 (52)	8040H007	1	○	○	○	6.1	1.8 (0.8)
3/8	5/16 (8)	1.2 (1.0)	64,400	0	15 (1)	125 (52)	8040H008	1	○	○	○	6.1	1.8 (0.8)

○ = Safety Shutoff Valve; ① 1" W.C. Drop @ 2" W.C. Inlet Pressure, 1,000 Btu/cu.ft. or more, 0.64 Specific Gravity Gas.
② On 50 Hz service watt rating is 8.1; EF option approved to UL and CSA only.

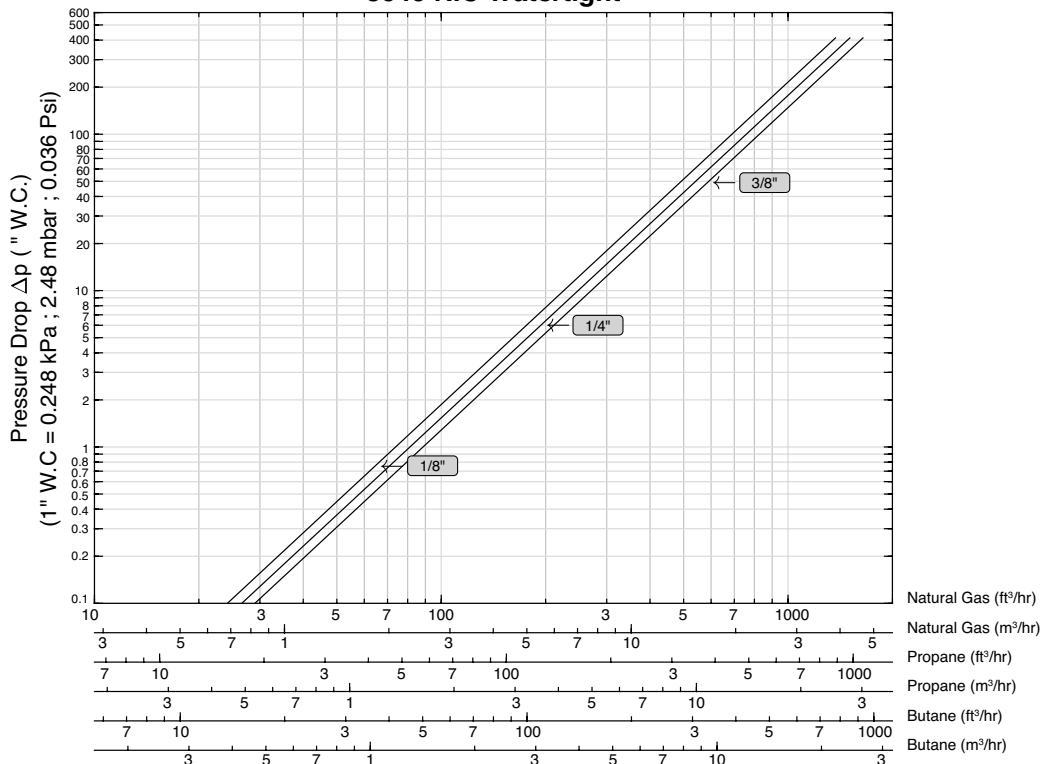
Capabilities Chart

Solenoid Options				Base Catalog Number	Resilient Materials	Standard Rebuild Kit
NEMA Type 3-9	High Temp.	Junction Box	Wiring Box Screw Terminal	Aluminum	NBR	AC
EF	HT	-	JKF	8040H006	●	318247
EF	HT	JB	JKF	8040H007	●	318247
EF	HT	JB	JKF	8040H008	●	318247

● = Standard. Other options may be available. All option combinations may not be available.

Gas Flow Chart

8040 N.C Watertight



Note: Flow curves are based on the following standard conditions: 5 psi (0.3 bar) inlet pressure and 68°F (20°C) fluid temperature.

Dimensions inches (mm)

