

# MEDENUS

Gas Pressure Regulation



## Safety relief valve SL 10



Product Information

EN



## Table of Contents

<b>Application, Characteristics, Technical Data</b>	<b>4</b>
Application	4
Characteristics	4
Type of model (options)	4
Technical Data	4
Design and function	5
Valve seat diameter, measuring unit diameter	6
Control unit setpoint spring table	6
<b>Dimensions, Connection and Weight</b>	<b>7</b>
Dimensions and weight	7
Dimensional drawing	7
Connections	7
<b>Order data</b>	<b>8</b>
<b>Contact</b>	<b>10</b>
<b>Notes</b>	<b>11</b>

## List of abbreviations and formula symbols

AC	Accuracy class	BV	Breather valve
HDS	High-pressure spindle	SG	Closing pressure group
$Q_{\max}$	Maximum flow rate	$t_u$	Gas inlet temperature
PS	Maximum allowable pressure	VS	Valve seat
$p_u$	Response pressure	$\rho_n$	Gas density
$Q_n$	Standard volumetric flow rate		

# Application, Characteristics, Technical Data

## Application

Safety relief valve (SRV), direct-acting (operating without auxiliary power), for systems acc. to DVGW - work sheet G 491 (A) and G 600 (A) (TRGI)

Can be used as an equipment component on gas consumption facilities as defined in EC Directive (2009/142/EEC)

Can be used for the gases defined in DVGW - work sheet G 260 / G 262 and neutral non-aggressive gases.  
(other gases on request)

## Characteristics

- Integral pressure-tight version (IS)
- Class A
- Position-independent installation
- High level of response accuracy
- outdoor version as standard

## Type of model (options)

- Oxygen model

## Technical Data

<b>Type</b>	SL 10
<b>Model</b>	Integral pressure-tight (IS)
<b>Max. allowable pressure PS</b>	8 bar
<b>Max. inlet pressure <math>p_{u,max}</math></b>	3.5 bar
<b>Nominal size</b>	Rp 1" (DN 25), Rp 1½" (DN 40), Rp 2" (DN 50) (NPT thread on request)
<b>Type of connection</b>	Internal thread acc. to EN 10226-1
<b>Material</b>	
Housing / actuator housing	Al - cast alloy*
<b>Temperature range, Class 2</b> (operating/ambient temperature)	-20°C to +60°C
<b>Accuracy class AC</b>	5
<b>Closing pressure group SG</b>	10
<b>Function, Strength and Tightness</b>	DIN EN 33821
<b>CE mark acc. to PED/ PIN number</b>	CE-0085-AQ0879
<b>Ex protection</b>	The mechanical parts of the device do not have any potential ignition sources of their own and therefore do not fall within the scope of ATEX 95 (94/9/EC). Electrical components fitted to the device comply with the ATEX requirements.

- \*) Corrosivity category according to DIN EN ISO 12944-2.  
The categories C1 to C5-I including guaranteed without additional coatings.  
For the category C5-M a coating with epoxy resin is recommended.

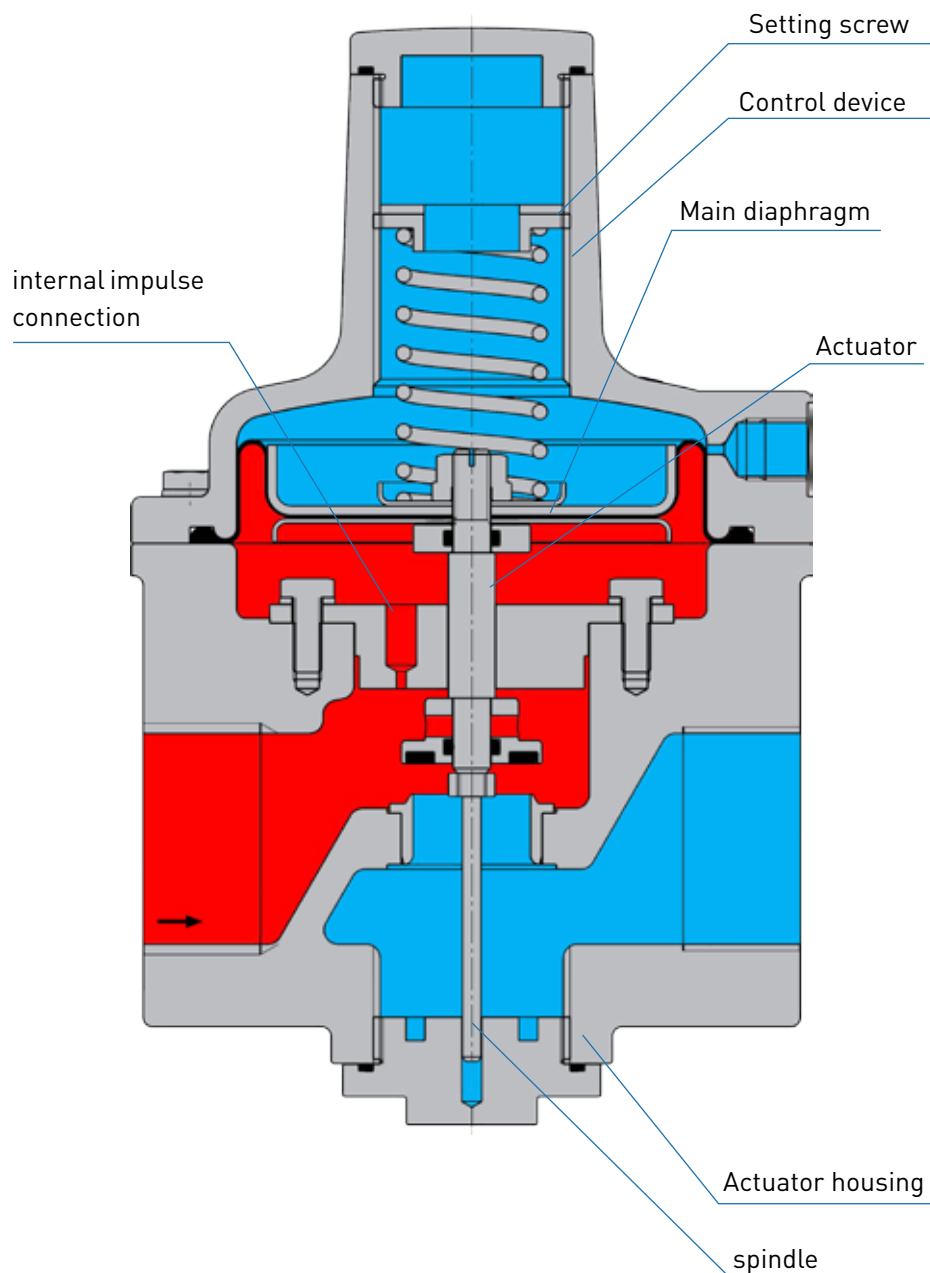


# Application, Characteristics, Technical Data

## Design and function

The spring-loaded safety relief valve SL 10 is used for reducing short-term pressure surges upstream of gas consumption systems or preventing an inadmissibly high pressure increase due to escaping gas, and is intended to protect downstream system components from excessive pressure levels.

The safety relief valve is composed of the actuator housing and the 'control device' functional unit. In the closed position, the gas flows into the actuator housing in the direction of the arrow. The internal measurement line port is used to pass the outlet pressure to be regulated to the bottom of the main diaphragm of the safety relief valve. It compares the actual value with the command variable preset by the force of the setpoint spring. The setpoint required in each case is set via the setting screw. When the setpoint is exceeded, the measuring movement will lift the actuator, allowing the gas to escape via the blow-off line. If the actual value falls below the setpoint, the measuring movement will close the actuator again automatically.



## Application, Characteristics, Technical Data

### Valve seat diameter, measuring movement diameter

Nominal size	Connection	Valve seat Ø (mm)	maximum flow rate (Nm <sup>3</sup> /h)	control unit Ø (mm)
DN 25	Rp 1	20	100	145
DN 40	Rp 1½	25	300	145
DN 50	Rp 2	25	300	145

### Control unit setpoint spring table

control unit Ø (mm)	Spring data	
	Spring no.	Colour [RAL]
145		
20 - 39	FG100	9005
35 - 71	FG101	5015
55 - 131	FG102	6018
105 - 275	FG103	3020
215 - 575	FG104	5010
415 - 1050	FG105*	6010
900 - 1950	FG106**	7035
1750 - 3560	FG107**	1028

\*) with high-pressure spring plate (HD1)

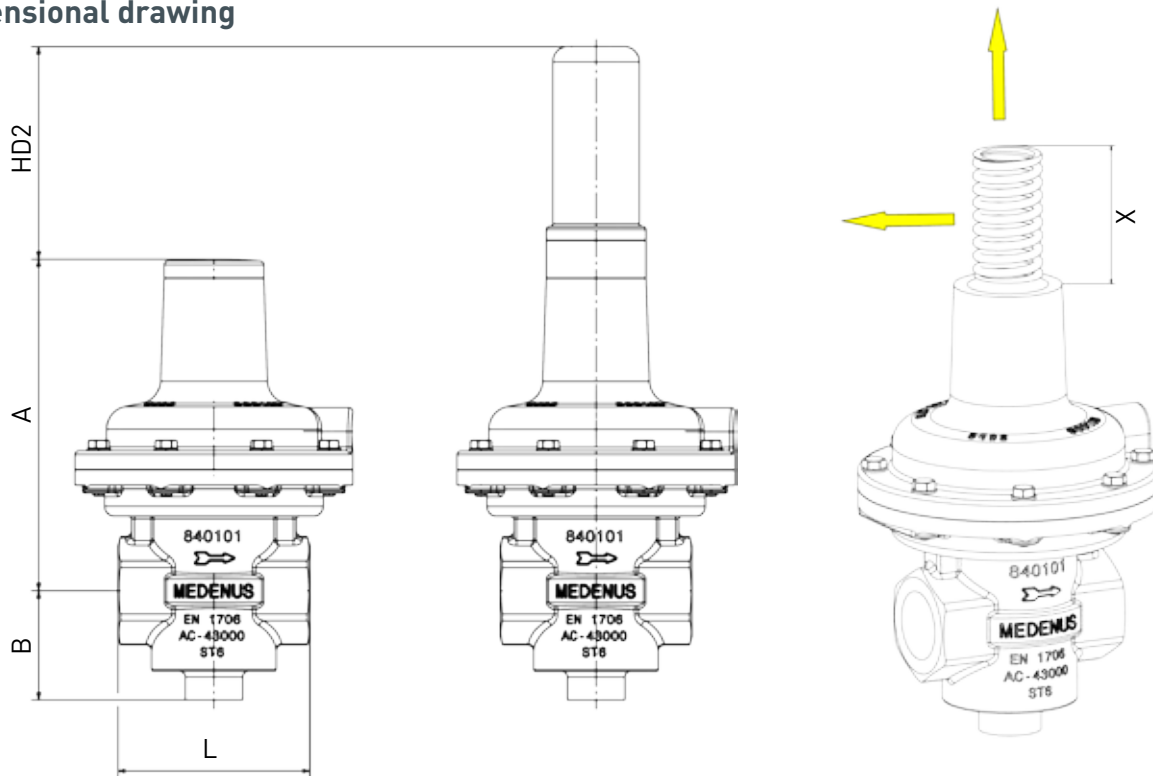
\*\*) with high-pressure spindle (HD2)

# Dimensions, Connection and Weight

## Dimensions and weight

Nominal size DN	Connection	control unit (mm)	A (mm)	B (mm)	L (mm)	HD2 (mm)	X (mm)	Weight (kg)	Weight HD2 (kg)
25	Rp 1	145	173	57	100	112	180	2.5	0.4
40	Rp 1½	145	173	61	140	112	180	3.5	0.4
50	Rp 2	145	173	61	160	112	180	3.5	0.4

## Dimensional drawing



### Example:

SL10/Rp 1" with HD2

Weight (SRV + HD2): 2.5 kg + 0.4 kg = 2.9 kg

Dimensions (A + HD2): 173 mm + 112 mm = 285 mm

## Connections

Nominal size	Breather line
DN 25	Connection* for:
DN 40	Tube 10 x 1.5
DN 50	(thread G 1/4)

### Note

Observe the following publications in relation to installation, start-up and maintenance:

DVGW - work sheets G 491 and G 600

Operating and Maintenance Instructions SL 10

For all nominal sizes, the direction of flow is indicated by an arrow on the housing.

\*) Threaded pipe connections to DIN EN ISO 8434-1 (DIN 2353)

## Order data

### Example:

		Safety relief valve: SL10/Rp1"/WAZ/So			
		Order code:			
		SL10	Rp1"	WAZ	So
Order selection	Designation				
Type					
SL10	SL10	SL10			
<b>DN - Nominal size</b>	Table p. 8		Rp1"		
Acceptance test certificate to EN 10204/3.1					
without	-				
with acceptance test certificate	WAZ			WAZ	
Special model	So*				So

### DN - Nominal size

Type	Rp 1"	Rp 1½"	Rp 2"
SL10	X	X	X

We recommend, for systems with regulators  
 up to DN 100 our SL10-Rp 1"  
 up to DN 150 our SL10-Rp 1 ½"  
 up to DN 200 our SL10-Rp 2"

- \*] e.g.:
- Coating with epoxy resin in RAL colours
  - Oxygen model

In every selection group, there is only one option that can be selected.





## THE MEDENUS PLUS

### 10 reasons for good business relations

1. Consultancy expertise and quality standards developed over decades
2. Broad and proven standard range of feedback controllers
3. Modern, fast and efficient production for serial orders and for individual orders
4. Customized design of pressure regulators and vacuum regulators as well as special designs
5. Guaranteed deadline compliance with a delivery time guarantee
6. Fast response time in all matters
7. Sufficiently large parts storage for production and spare parts
8. Customized theory & practice training courses
9. Modular design right across the entire product range to facilitate optimized handling of spare parts
10. 100% Made in Germany

## Contact

If you want to know more about our products and services, please contact your local representative or visit our website at [www.medenus.de/en](http://www.medenus.de/en).



### Managing Director Alexander Christiani

Telephone: +49 (0) 2761 / 82788-18  
Fax: +49 (0) 2761 / 82788-9  
E-Mail: [a.christiani@medenus.de](mailto:a.christiani@medenus.de)



### Field Sales Germany Jörg Pflugner

Mobile: +49 (0) 170 635 5309  
Fax: +49 (0) 2761 / 82788-9  
E-Mail: [j.pflugner@medenus.de](mailto:j.pflugner@medenus.de)



### Head of Sales & Marketing Franz Feichtner

Telephone: +43 (0) 7227 / 211-17  
Fax: +49 (0) 2761 / 82788-9  
Mobile: +49 (0) 151 / 51002711  
E-Mail: [f.feichtner@medenus.de](mailto:f.feichtner@medenus.de)



### In-House Sales Maika Schmidt

Telephone: +49 (0) 2761 / 82788-11  
Fax: +49 (0) 2761 / 82788-9  
E-Mail: [m.schmidt@medenus.de](mailto:m.schmidt@medenus.de)



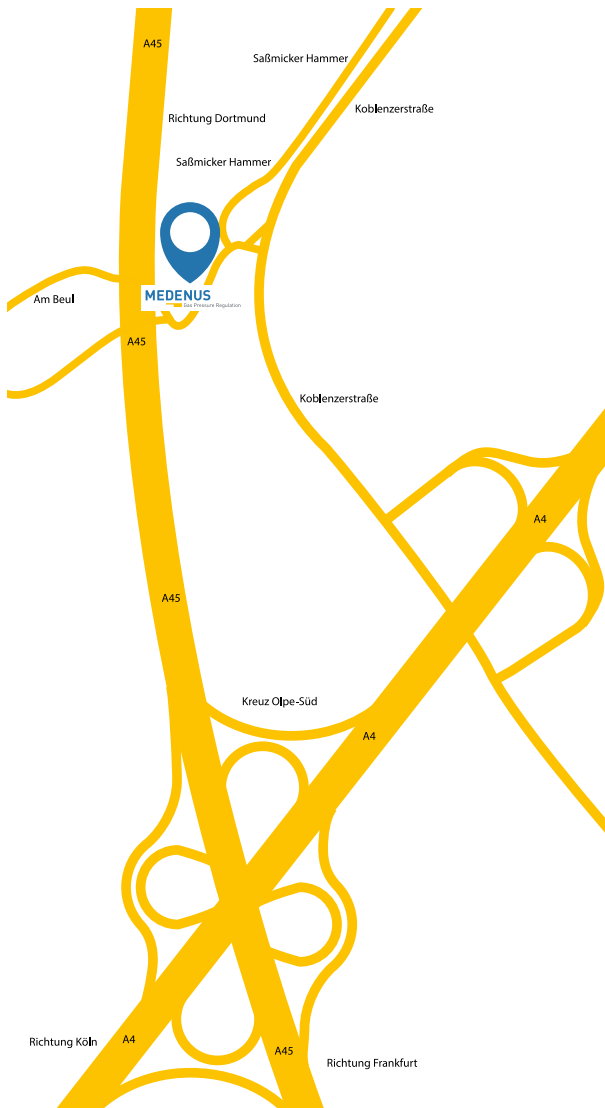
### In-House Sales Jan Arens

Telephone: +49 (0) 2761 / 82788-20  
Fax: +49 (0) 2761 / 82788-9  
E-Mail: [j.arenas@medenus.de](mailto:j.arenas@medenus.de)



### In-House Sales Stefanie Müller

Telephone: +49 (0) 2761 / 82788-13  
Fax: +49 (0) 2761 / 82788-9  
E-Mail: [s.mueller@medenus.de](mailto:s.mueller@medenus.de)



**Worldwide Sales Agencies:**  
[medenus.de/en/kontakt.html](http://medenus.de/en/kontakt.html)

## MEDENUS Gas-Druckregeltechnik GmbH

Saßmicker Hammer 40  
D-57462 Olpe  
Phone: +49 (0)2761 82788-0  
Fax: +49 (0)2761 82788-9  
E-Mail: [info@medenus.de](mailto:info@medenus.de)  
Internet: [www.medenus.de](http://www.medenus.de)

In the download area of our homepage, different languages of this document are available. You can use the following QR codes and links to go directly to this document in your language.



**Deutsch:**

[http://medenus.de/files/upload/downloads/SL10/Pi\\_SL10\\_de.pdf](http://medenus.de/files/upload/downloads/SL10/Pi_SL10_de.pdf)



**English:**

[http://medenus.de/files/upload/downloads/SL10/Pi\\_SL10\\_en.pdf](http://medenus.de/files/upload/downloads/SL10/Pi_SL10_en.pdf)

## Notizen

.....

.....

.....

.....

.....

.....

.....

.....

.....

.....

.....

.....

.....

.....

.....

.....

.....

.....

.....

.....

.....

.....

.....



**MEDENUS** Gas-Druckregeltechnik GmbH

Fon +49 (0)2761 82788-0

Fax +49 (0)2761 82788-9

Saßmicker Hammer 40 / D-57462 Olpe

[info@medenus.de](mailto:info@medenus.de)

[www.medenus.de](http://www.medenus.de)

**EN**